

AIR MIXER LUX

WIRELESS SAUNA AIR MIXER

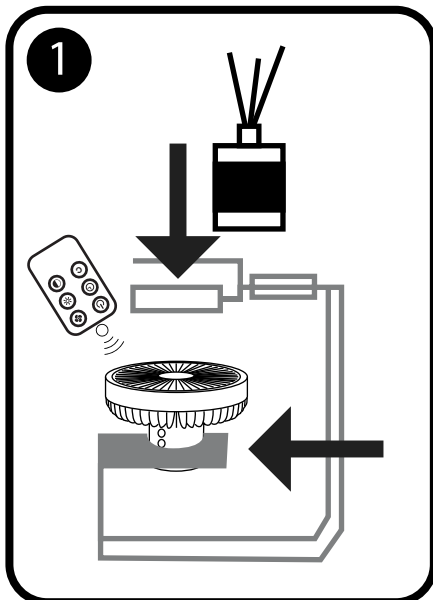
USER MANUAL

Indoor use:

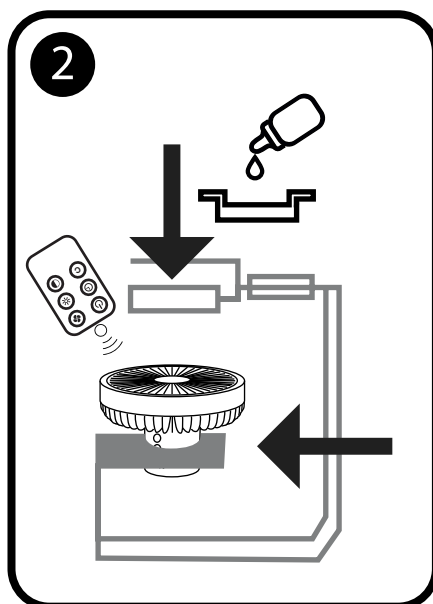
When indoors, you can place the Air Mixer Lux anywhere.

Sauna use:

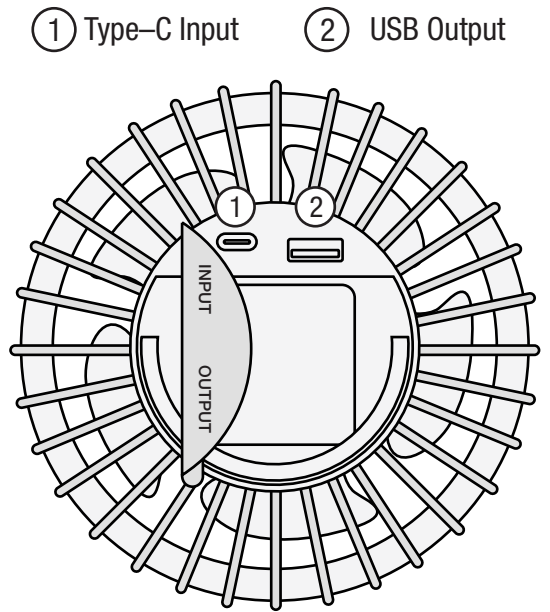
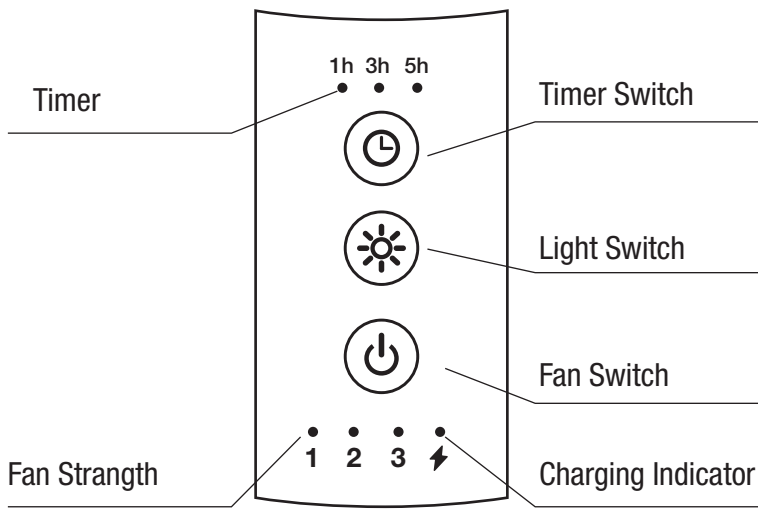
When in Sauna, place the Air Mixer Lux only on the floor!



1. Place the Air Mixer onto the bottom rack.
2. Place the diffuser into the top slot.
3. Activate the Air Mixer with a remote.



1. Place the Air Mixer onto the bottom rack.
2. Place the diffuser pod into the top slot.
3. Add 5-10 drops of essential oil and 20ml of water onto the diffuser pod.
4. Activate the Air Mixer with a remote.



Parameters

Power Input:	DC5.0V/2.0A	Battery Capacity:	10000mAh
Operating Current:	0.3-1A	Material:	ABS/Silica/PCBA/Al alloy
Rated Power:	≤ 10w	Product Size:	220 x 220 x 270 mm
Product Weight:	730g		

Made in China

Fan functions

- Press the on key for the first time → Silent mode
 - Press the on key for the second time → Intensive mode
 - Press the on key for the third time → Sauna mode
 - Press the on key for the fourth time → Wind mode
 - Press the on key for the fifth time → Power off
- Repeat cycle

LED functions

- Press the on key for the first time → Low light
 - Press the on key for the second time → Medium light
- Repeat cycle

Timer functions

- Press the on key for the first time → 1H cycle
 - Press the on key for the second time → 3H cycle
 - Press the on key for the third time → 5H cycle
 - Press the on key for the fourth time → Timer off
- Repeat cycle

Charging indicator

- The blue light stays on when the output USB is working
- The red light is on when charging
- The green light stays on when fully charged
- The red light flashes when the battery is low